

High Performance Weatherseals for Windows & Doors

Key Performances

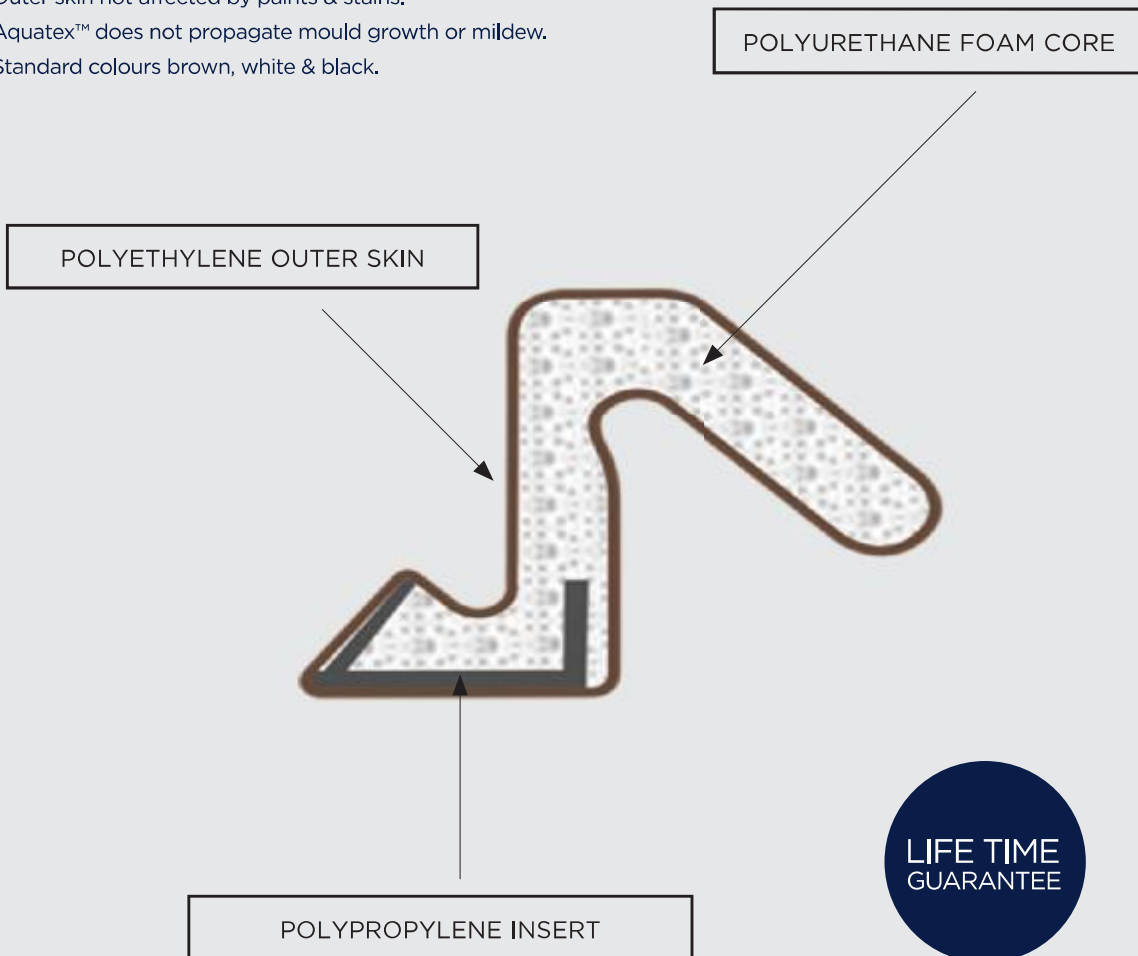
Temperature Range: -40°C to +70°C.
Compression Set: <15%
UV Stability: 5000 hrs QUV tester, UVB 313 bulb.
(4hrs light / 4hrs dark cycle)

Materials

Outer skin. Polyethylene.
(Properties include: inert, low friction, UV stable, colour options)
Foam Core. Polyurethane. (Properties include: excellent memory over extended temp range)
Inserts. Polypropylene (Properties include: longitudinal stability and secure fixing)

Features

- P.U. foam core provides excellent recovery after long-term deflection.
- Working temperature range -40°C to +70°C
- Thicker polyethylene outer sheathing improves resistance to wear & tear.
- Deflection ranges to cope with tolerance & seasonal movement of seal gap.
- Excellent UV stability.
- Outer skin not affected by paints & stains.
- Aquatex™ does not propagate mould growth or mildew.
- Standard colours brown, white & black.



Aquatex A15

Seals gaps 9 - 15mm

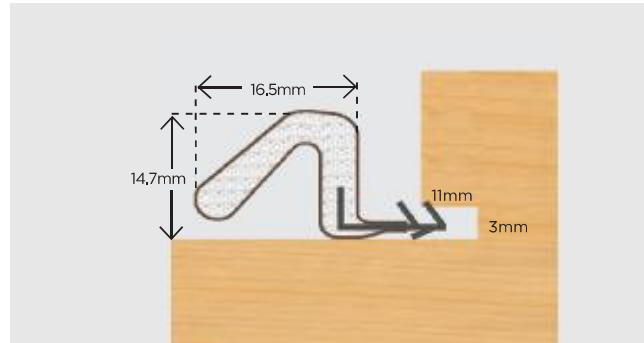
Conforms to BS 12365-12003

Classification W72560

2.1m Lengths, 125L/Box

Available in white, brown & black

Ref: 1.27.0065



Aquatex A14

Seals gaps 10 - 15mm

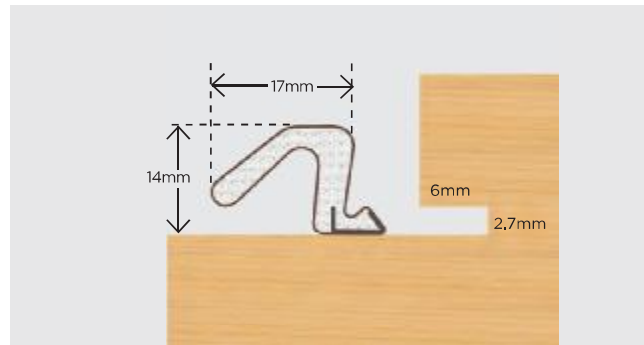
Conforms to BS 12365-12003

Classification W72560

2.1m Lengths, 150L/Box

Available in white, brown & black

Ref: 1.27.0189



Aquatex A13

Seals gaps 5.5 - 12mm

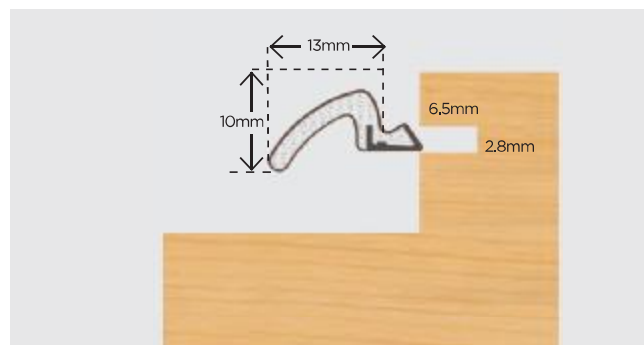
Conforms to BS 12365-12003

Classification W62560

350m/Box (2 x 175m)

Available in white, brown & black

Ref: 1.28.0700



Aquatex A10

Seals gaps 4.5 - 8mm

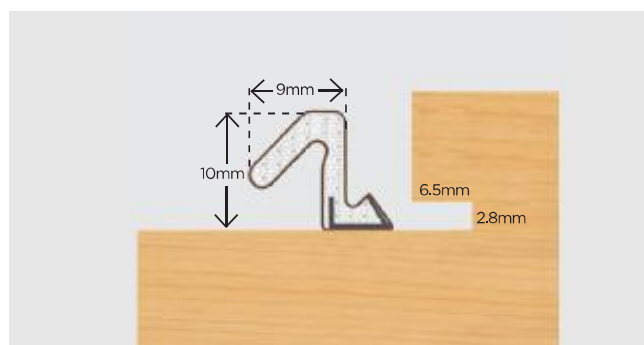
Conforms to BS 12365-12003

Classification W32560

10m, 25m, 100m, 500m/Box (2 x 250m)

Available in white, brown & black

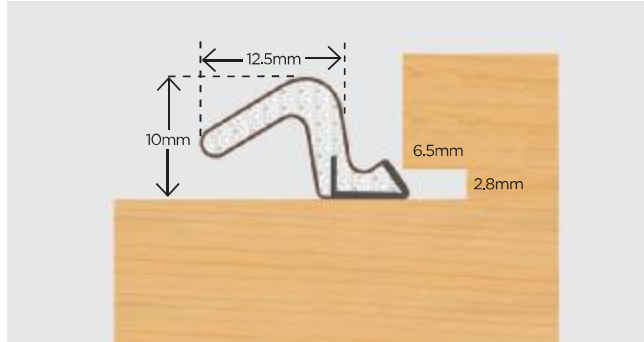
Ref: 1.27.0021



Aquatex A9

Seals gaps 6 - 11.5mm
Conforms to BS 12365-12003
Classification W52560
400m/Box (2 x 200m)
Available in white, brown & black

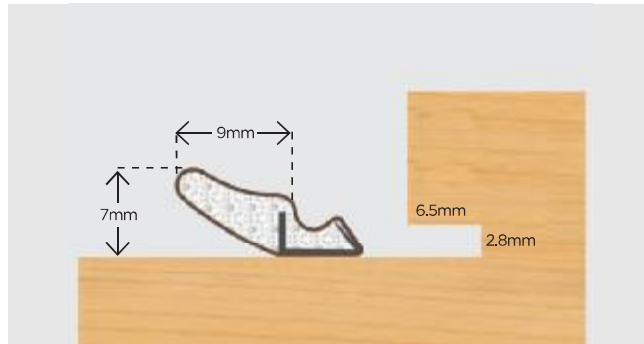
Ref: 1.27.0569



Aquatex A5

Seals gaps 4 - 8.5mm
Conforms to BS 12365-12003
Classification W43560
600m/Box (2 x 300m)
Available in white, brown & black

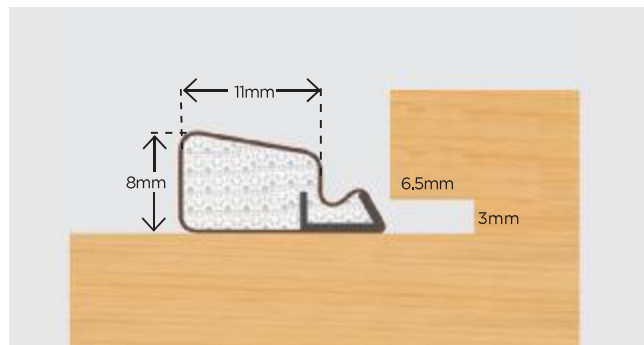
Ref: 1.27.0562



Aquatex P3

Seals gaps 4 - 6.4mm
Conforms to BS 12365-12003
Classification W26560
400m/Box (2 x 200m)
Available in white, brown & black

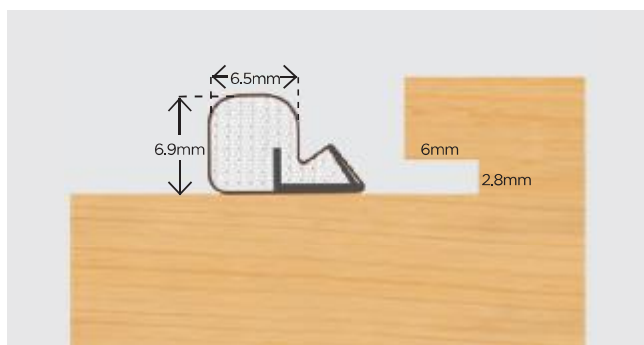
Ref: 1.27.0033



Aquatex P6

Seals gaps 4 - 6mm
Conforms to BS 12365-12003
Classification W23560
600m/Box (2 x 300m)
Available in white, brown & black

Ref: 1.27.0063



Aquatex P8

Seals gaps 2 - 3.5mm

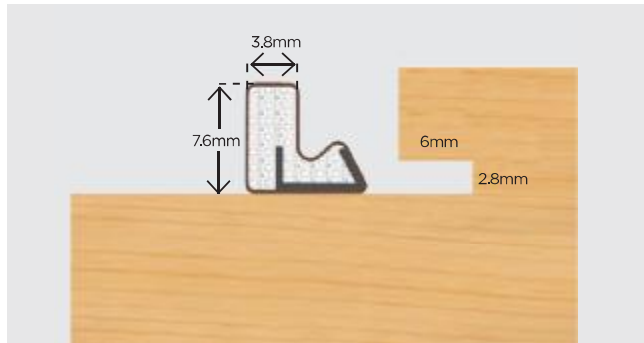
Conforms to BS 12365-12003

Classification W15560

10m, 25m, 100m, 700m/Box (2 x 350m)

Available in white, brown & black

Ref: 1.27.0048



Aquatex P9

Seals gaps 2.8 - 4.5mm

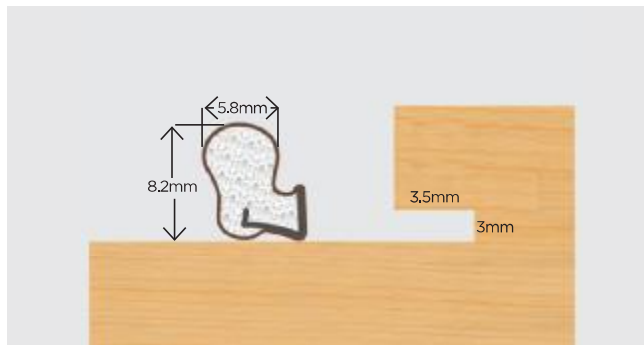
Conforms to BS 12365-12003

Classification W15560

600m/Box (2 x 300m)

Available in white & black

Ref: 1.27.0154



Aquatex P10

Seals gaps 3.5 - 5.5mm

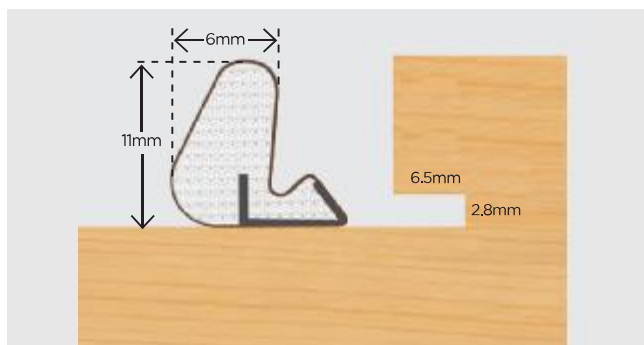
Conforms to BS 12365-12003

Classification W45560

500m/Box (2 x 250m)

Available in white, brown & black

Ref: 1.27.0484



Aquatex P11

Seals gaps 4.5 - 6mm

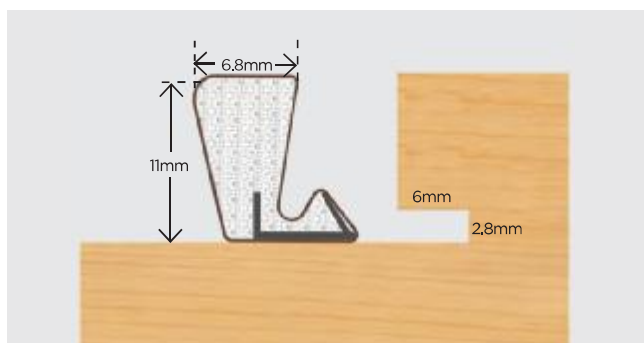
Conforms to BS 12365-12003

Classification W35560

10m, 25m, 100m, 500m/Box (2 x 250m)

Available in white, brown & black

Ref: 1.27.0109



Aquatex™

Aquatex S20

Seals gaps 5 - 7.5mm

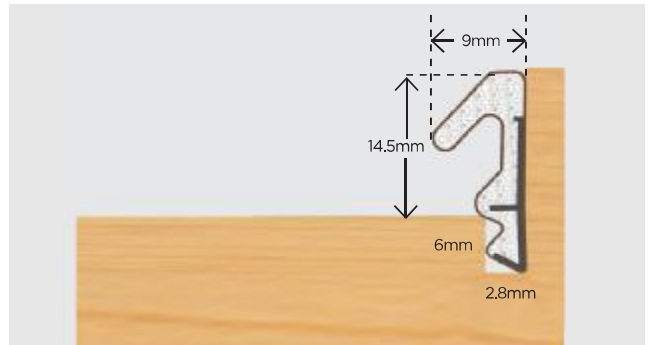
Conforms to BS 12365-12003

Classification W43560

250m/Box (2 x 125m)

Available in white, brown & black

Ref: 1.27.0124



Aquatex S21

Seals gaps 5 - 8mm

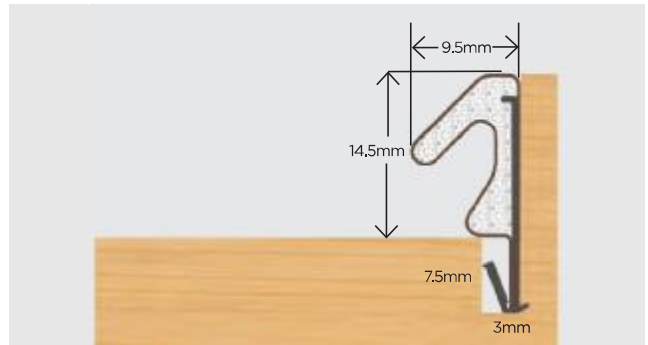
Conforms to BS 12365-12003

Classification W33560

300m/Box (2 x 150m)

Available in white, brown & black

Ref: 1.28.0091



Aquatex S22

Seals gaps 5 - 8mm

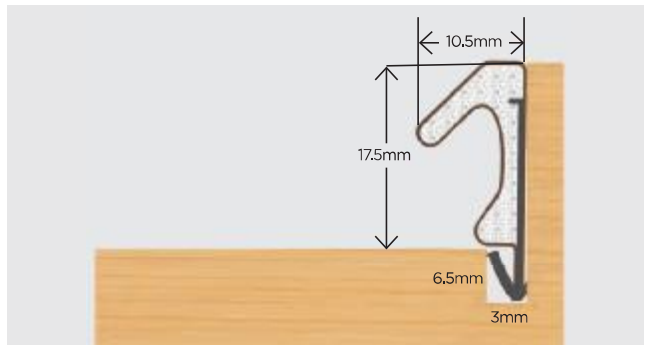
Conforms to BS 12365-12003

Classification W33560

300m/Box (2 x 150m)

Available in white, brown & black

Ref: 1.27.0310



Aquatex S25

Seals gaps 5 - 6.5mm

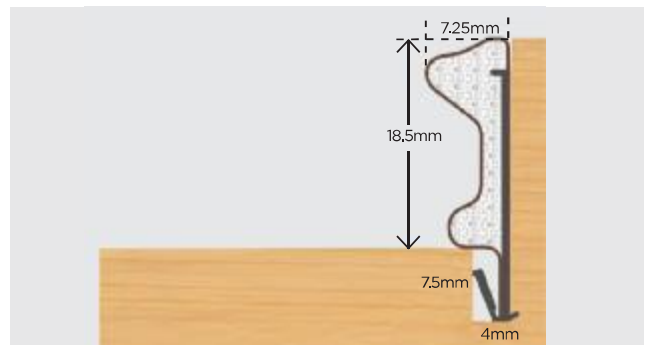
Conforms to BS 12365-12003

Classification W34560

200m/Box (2 x 100m)

Available in white, brown & black

Ref: 1.28.0097



Aquatex D Slot 4.8mm x 5mm

Seals gaps 3.5 - 4.8mm

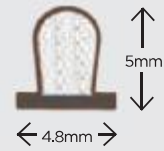
Conforms to BS 12365-12003

Classification W14560

1220m/Box (2 x 610m)

Available in white, brown & black

Ref: 1.28.0069



Aquatex D Slot 4.8mm x 6.5mm

Seals gaps 4.5 - 6mm

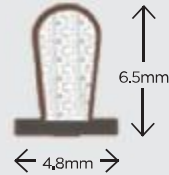
Conforms to BS 12365-12003

Classification W24560

900m/Box (2 x 450m)

Available in white, brown & black

Ref: 1.28.0070



Aquatex D Slot 4.8mm x 7.5mm

Seals gaps 5.5 - 7mm

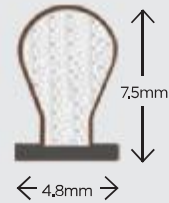
Conforms to BS 12365-12003

Classification W23560

600m /Box (2 x 300m)

Available in white, brown & black

Ref: 1.28.0071



Aquatex D Slot 4.8mm x 9.5mm

Seals gaps 6.5 - 9 mm

Conforms to BS 12365-12003

Classification W24560

600m/Box (2 x 300m)

Available in white, brown & black

Ref: 1.28.0072

